

threaded

NPT Series



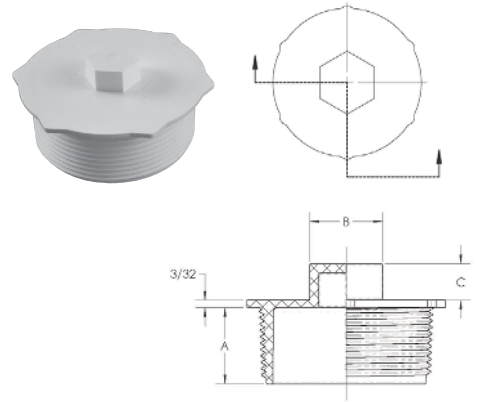
Threaded Plug for NPT Fitting

NPT Series threaded plugs are designed to be used as dust plugs to keep out contaminants and moisture, and to protect against thread damage during shipping and storage.

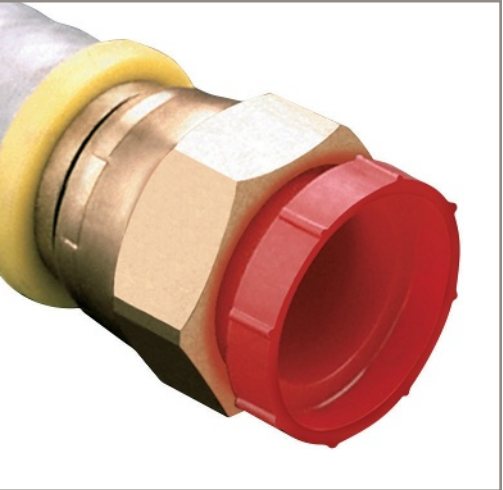
- Easy to install and remove
- Fully threaded to ensure a secure fit
- Locks tight to keep out moisture and debris
- Lightweight and durable

Material: High-Density Polyethylene

Colors: White **Optional Colors:** Red



PD Series



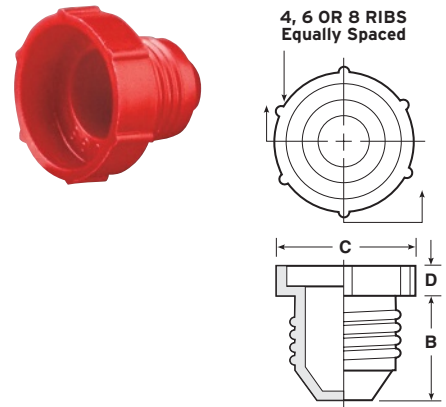
Threaded Plastic Plugs for Flared JIC Fittings

PD Series are designed for use on flared JIC fittings and will seal low-pressure requirements with light finger tightening. May be used on 37° flared fittings without gaskets. The plugs are knurled for easy installation and removal.

Material: High-Density Polyethylene/Low-Density Polyethylene

Color: Red

Applicable Specs: NAS 833, NAS 815



Threaded Plug for NPT Fitting **NPT Series**

Caplugs No.	Dimensions								Quantity	
	To Fit Thread Size	Schedule Size	A		B		C		Carton	Mini Pak
			In	mm	In	mm	In	mm		
NPT-2000	2	40	1.05	26.67	1.00	25.4	.50	12.70	300	60
NPT-2500	2.5	40	1.45	36.83	1.00	25.4	.50	12.70	250	50
NPT-3000	3	40	1.45	36.83	1.00	25.4	.50	12.70	150	30
NPT-4000	4	80	1.72	43.69	1.00	25.4	.50	12.70	90	18

Threaded Plastic Plugs for Flared JIC Fittings **PD Series**

Caplugs No.	Dimensions								Packaging	
	To Plug Nominal Tubing Size - Inches	To Fit Thread Size - Inches	B		C		D		Carton Quantity	Mini Pak Quantity
			In	mm	In	mm	In	mm		
PD-20 (LDPE)	1/8	5/16 - 24	.44	11.20	.44	11.18	.18	4.57	5000	1000
PD-30 (LDPE)	3/16	3/8 - 24	.46	11.70	.50	12.70	.18	4.57	5000	1000
PD-30 (HDPE)	3/16	3/8 - 24	.46	11.70	.50	12.70	.18	4.57	5000	1000
PD-40 (LDPE)	1/4	7/16 - 20	.53	13.50	.62	15.75	.19	4.83	5000	1000
PD-40 (HDPE)	1/4	7/16 - 20	.53	13.50	.62	15.75	.19	4.83	5000	1000
PD-50 (LDPE)	5/16	1/2 - 20	.53	13.50	.68	17.27	.25	6.35	5000	1000
PD-50 (HDPE)	5/16	1/2 - 20	.53	13.50	.68	17.27	.25	6.35	5000	1000
PD-60 (LDPE)	3/8	9/16 - 18	.50	12.70	.81	20.57	.25	6.35	5000	1000
PD-60 (HDPE)	3/8	9/16 - 18	.50	12.70	.81	20.57	.25	6.35	5000	1000
PD-65 (LDPE)	3/8	5/8 - 18	.59	15.00	.81	20.57	.25	6.35	5000	1000
PD-65 (HDPE)	3/8	5/8 - 18	.59	15.00	.81	20.57	.25	6.35	5000	1000
PD-80 (LDPE)	1/2	3/4 - 16	.75	19.10	.94	23.88	.25	6.35	2500	500
PD-80 (HDPE)	1/2	3/4 - 16	.75	19.10	.94	23.88	.25	6.35	2500	500
PD-100 (LDPE)	5/8	7/8 - 14	.87	22.10	1.06	26.93	.25	6.35	2500	500
PD-100 (HDPE)	5/8	7/8 - 14	.87	22.10	1.06	26.93	.25	6.35	2500	500
PD-110 (LDPE)	-	1 - 12	.84	21.34	1.12	28.45	.25	6.35	2500	500
PD-110 (HDPE)	-	1 - 12	.84	21.34	1.12	28.45	.25	6.35	2500	500
PD-HF-16 (LDPE)	3/4	1-1/16 - 12	.86	21.80	1.41	35.81	.25	6.35	1500	300
PD-HF-16 (HDPE)	3/4	1-1/16 - 12	.86	21.80	1.41	35.81	.25	6.35	1500	300
PD-120 (LDPE)	-	1-1/16 - 12	.89	22.61	1.25	31.75	.25	6.35	2500	500
PD-121 (LDPE)	3/4	1-1/16 - 14	1.12	28.50	1.31	33.28	.25	6.35	1000	200
PD-121 (HDPE)	3/4	1-1/16 - 14	1.12	28.50	1.31	33.28	.25	6.35	1000	200
PD-HF-17 (LDPE)	3/4	1-1/16 - 14	.86	21.80	1.41	35.81	.25	6.35	1500	300
PD-HF-17 (HDPE)	3/4	1-1/16 - 14	.86	21.80	1.41	35.81	.25	6.35	1500	300
PD-HF-18 (LDPE)	7/8	1-3/16 - 12	.93	23.60	1.50	38.10	.25	6.35	1200	240
PD-HF-18 (HDPE)	7/8	1-3/16 - 12	.93	23.60	1.50	38.10	.25	6.35	1200	240
PD-160 (LDPE)	1	1-5/16 - 12	.93	23.60	1.50	38.10	.25	6.35	1000	200
PD-160 (HDPE)	1	1-5/16 - 12	.93	23.60	1.50	38.10	.25	6.35	1000	200
PD-180 (LDPE)	-	1-1/2 - 12	.93	23.60	1.75	44.45	.25	6.35	1000	200
PD-180 (HDPE)	-	1-1/2 - 12	.93	23.60	1.75	44.45	.25	6.35	1000	200
PD-HF-24 (LDPE)	1-1/4	1-5/8 - 12	.94	23.90	2.22	56.39	.34	8.64	500	100
PD-HF-24 (HDPE)	1-1/4	1-5/8 - 12	.94	23.90	2.22	56.39	.34	8.64	500	100
PD-HF-26 (LDPE)	-	1-3/4 - 12	.97	24.60	2.31	58.97	.34	8.64	500	100
PD-HF-26 (HDPE)	-	1-3/4 - 12	.97	24.60	2.31	58.97	.34	8.64	500	100
PD-240 (LDPE)	1-1/2	1-7/8 - 12	1.15	29.20	2.31	58.68	.31	7.87	500	100
PD-240 (HDPE)	1-1/2	1-7/8 - 12	1.15	29.20	2.31	58.68	.31	7.87	500	100
PD-HF-28 (LDPE)	1-1/2	1-7/8 - 12	1.06	26.90	2.47	62.74	.38	9.65	500	100
PD-HF-28 (HDPE)	1-1/2	1-7/8 - 12	1.06	26.90	2.47	62.74	.38	9.65	500	100
PD-HF-30 (LDPE)	1-3/4	2-1/4 - 12	1.31	33.30	2.75	69.85	.38	9.65	250	50
PD-HF-30 (HDPE)	1-3/4	2-1/4 - 12	1.31	33.30	2.75	69.85	.38	9.65	250	50
PD-HF-32 (LDPE)	2	2-1/2 - 12	1.31	33.30	3.09	78.49	.38	9.65	225	45
PD-HF-32 (HDPE)	2	2-1/2 - 12	1.31	33.30	3.09	78.49	.38	9.65	225	45